

MAGNETIC INK FILTER[®]

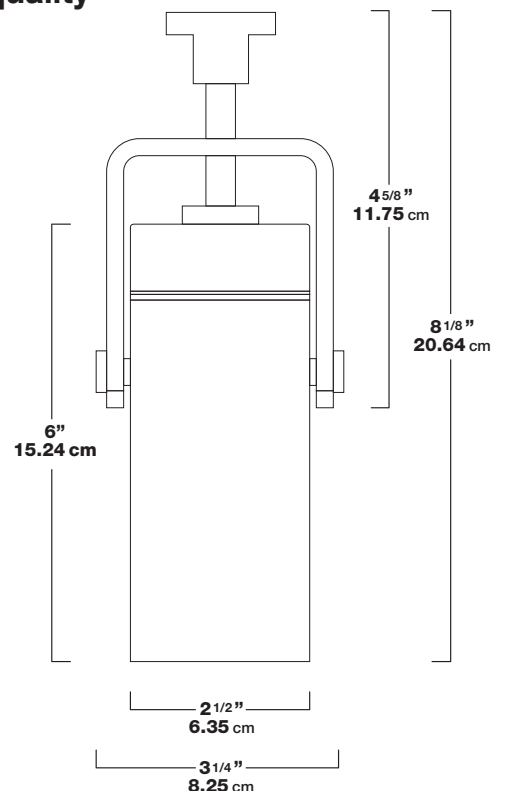
**GOODBYE CONTAMINATING PARTICLES !
WELCOME EASY MAINTENANCE !**

An in-line corrosion-resistant ink filter designed to remove contaminating particles. Powerfull rare earth magnet fitted in a conical shaped cartridge to ensure efficient ink flow.



GARANTEED SATISFACTION

- No surge problems
- Increased anilox lasting quality
- Improved ink consistency
- Stops ferrous particles from reaching your press
- Can be installed on the inlet or outlet side of a pump
- O-ring design to prevent leaking
- Increased ink printing quality
- Reduced ink clogging
- Frangment Free ink
- Increase press uptime
- Easy maintenance



SPECIFICATIONS

Port size	1" NPT outlet and inlet.
Construction	Lightweight & resistant aluminum.
Strainer	Stainless steel available in 16-20-30-40-50-60-80 & 100 mesh.
Strenght	Magnet can lift 1 pound of metal.
Viscosity ranges	1 to 100,000 cps.
Compatibility	<ul style="list-style-type: none">• Can be used with double diaphragm, peristaltic or centrifugal pumps.• Designed for water, solvent and UV inks.• Suitable for corrugated, flexible and gravure printing.

REPLACEMENT PARTS

Part number	Description
40038-0024	20 mesh SS Strainer (10 units)
40038-0034	30 mesh SS Strainer (10 units)
40038-00xx	Other mesh size SS Strainer (10 units)
40038-0003	Replacement Seals (100 units)



EASY MAINTENANCE !

Release the knob, pull out the cap, remove the strainer, and just wipe down the magnetic cartridge.

The particles will remain in the rag due to its dead zone.

NO TOOLS NOR FUSSING REQUIRED !



1400, Hocquart street, St-Bruno-de-Montarville, Quebec J3V 6E1, Canada | inkspec.com | sales@inkspec.com

Phone : 1-450-441-5005 | Fax : 1-450-441-6969

INKSPEC is a registered trademark | Printed in Canada | # 40038-4000-01